



RAM POWER LTD

16 GREENHILL CRESCENT, WATFORD BUSINESS PARK, WATFORD WD18 8SE

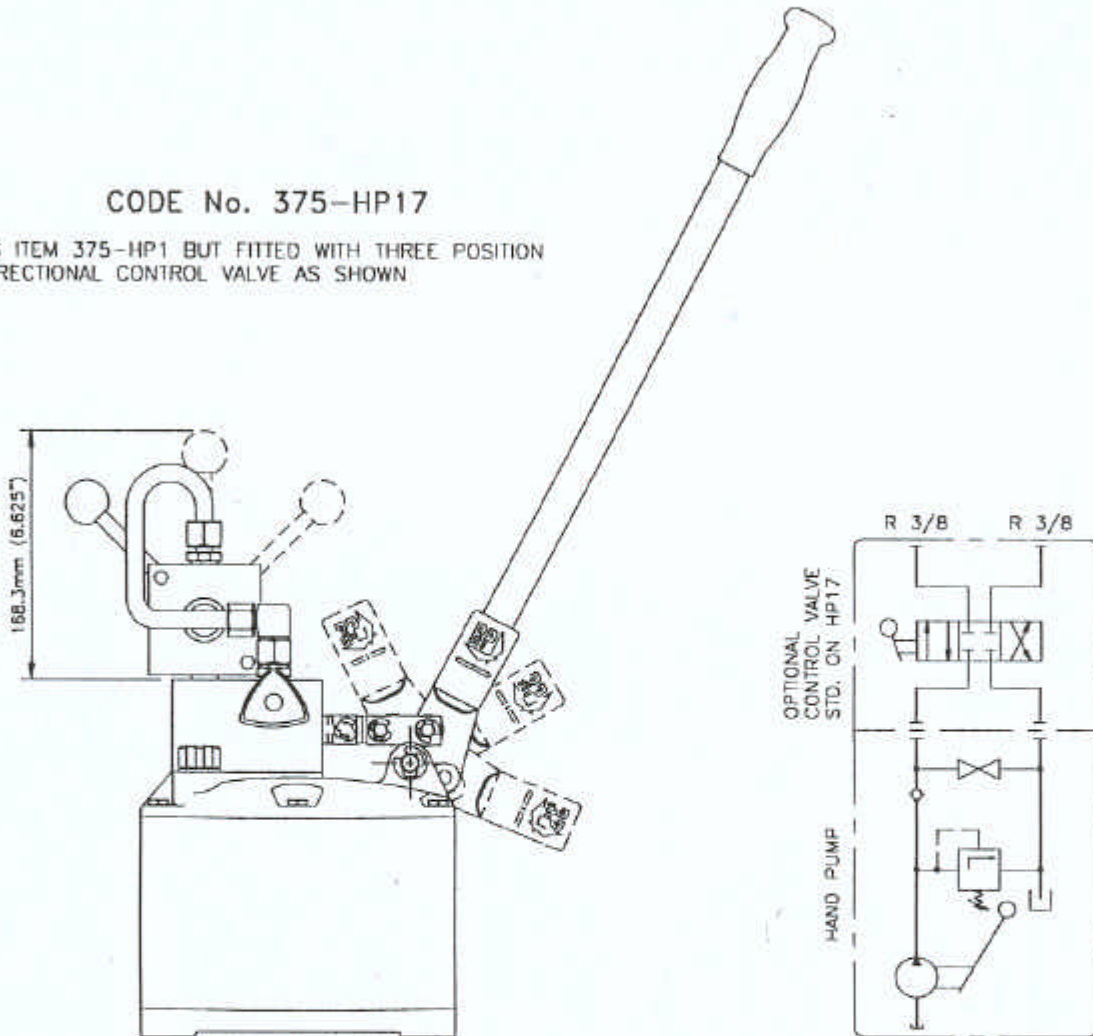
TEL: +44 (0) 1923 231661

mpwr@aol.com

FAX: +44 (0) 1923 246856

CODE No. 375-HP17

AS ITEM 375-HP1 BUT FITTED WITH THREE POSITION DIRECTIONAL CONTROL VALVE AS SHOWN



GENERAL SPECIFICATIONS

HAND PUMP PART No.	NORMAL OPERATING PRESSURE		MAX. PRESSURE 1) (RELIEF SETTING)		OUTPUT PER COMPLETE CYCLE		EFFORT ON HANDLE GRIP AT NORMAL OPERATING PRESSURE		USEFUL CONTAINER CAPACITY		WEIGHT WITHOUT OIL	
	BAR	P.S.I.	BAR	P.S.I.	cm ³	IN ³	kg	lb	cm ³	IN ³	kg	lb
375-HP10	105	1500	176	2500	13.6	.830	13.61	30	1638	100	6.1	13.5
375-HP1	105	1500	176	2500	13.6	.830	13.61	30	3356	205	7.2	15.9
375-HP3	105	1500	176	2500	13.6	.830	13.61	30	8029	490	10.9	24.0
375-HP6	105	1500	176	2500	13.6	.830	13.61	30	16387	1000	20.8	45.8
375-HP8	282	4000	317	4500	6.80	.415	18.14	40	1638	100	6.1	13.5
375-HP9	282	4000	317	4500	6.80	.415	18.14	40	3356	205	7.2	15.9
375-HP12	282	4000	317	4500	6.80	.415	18.14	40	16387	1000	20.8	45.8
2) 375-HP13	105	1500	176	2500	13.6	.830	13.61	30	8029	490	10.9	24.0
375-HP17	105	1500	176	2500	13.6	.830	13.61	30	3356	205	8.1	17.8

1) RELIEF SETTING CAN BE REDUCED

2) 375-HP13 IS 375-HP3 FITTED WITH OIL LEVEL GLASS & LARGE CAPACITY FILLER / BREATHER

OTHER OPTIONS AVAILABLE ON REQUEST



RAM POWER LTD

16 GREENHILL CRESCENT, WATFORD BUSINESS PARK, WATFORD WD18 8SE

TEL: +44 (0) 1923 231661

rmpwr@aol.com

FAX: +44 (0) 1923 246856

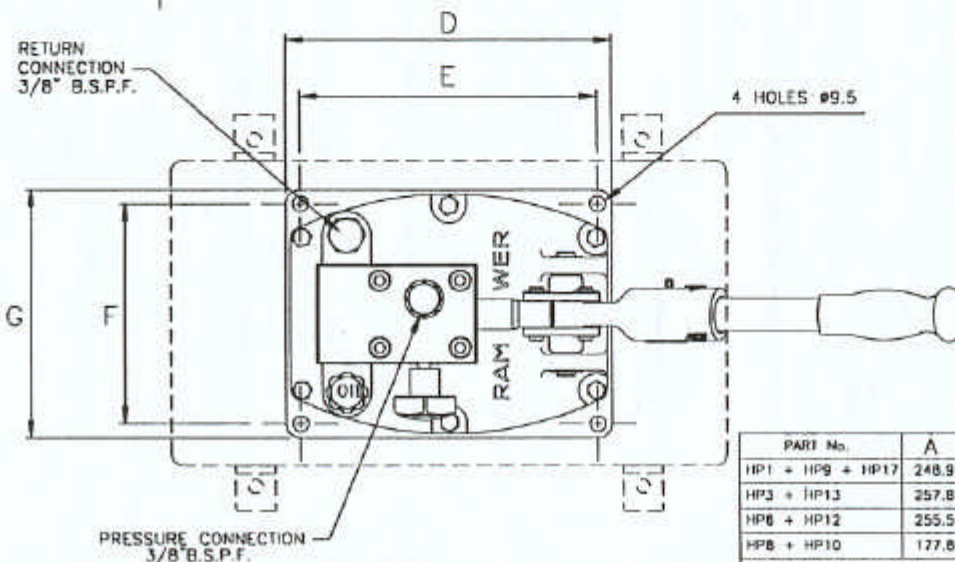
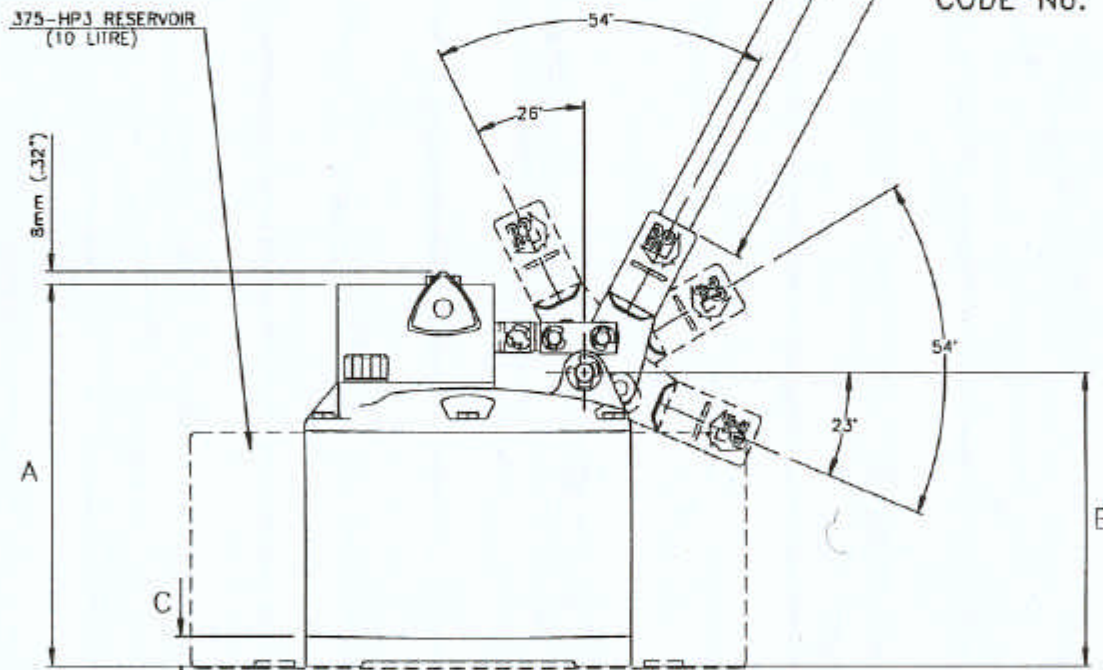
HYDRAULIC HAND PUMP

SPECIAL FEATURES

- 2 POSITION HANDLE - VERTICAL OR HORIZONTAL WORKING
- DOUBLE ACTING PUMP FOR BALANCED ACTION
- ACCESSIBLE VALVE BLOCK FOR CONNECTION AND SERVICE
- SEPARATE VALVE FOR PRESSURE RELEASE
- VARIOUS RESERVOIR CAPACITY OPTIONS

(FOR GENERAL SPECIFICATIONS SEE OVERLEAF)

CODE No. 375-HP1



PART No.	A	B	C	D	E	F	G
HP1 + HP9 + HP17	248.9	190.5	19.00	212.8	193.8	145.0	165.1
HP3 + HP13	257.8	193.5	5.00	383.2	254.0	230.1	203.0
HP6 + HP12	255.5	190.5	6.35	590.5	254.0	279.5	254.0
HP8 + HP10	177.8	119.4	19.00	212.8	193.8	146.0	165.1

ALL DIMENSIONS IN MILLIMETRES